

Airflex® EB and ER Construction



EB Element



ER Element

EB elements are suited to slow speed applications having moderate starting and stopping loads. They are used as slip clutches and tension brakes for lighter torque and horsepower applications.

EB elements are similar in design and construction to the CB elements and have many of the CB features. A neoprene rubber and cord tube is bonded on its inside diameter to a cylindrical surface. Friction shoes are attached with pins and held in position with lockwires to the outside diameter of the tube. Torque is transmitted by the sidewalls of the rubber tube. Pressurizing the tube forces the friction shoes to engage an inside drum diameter.

The expanding design allows the element to behave as a centrifugal clutch. The radial stiffness of the rubber tube determines the element speed at which the friction shoes will retract.

The rubber tubes of the three small elements are bonded to the outside diameters of solid hubs, which, in turn, are bored and keyseated for direct shaft mounting. The pressurizing passage can be either a radial hole thru the hub or a port provided in the hub face. Larger element sizes are attached to the shaft by a separate element hub.

Element torque is dependent upon the applied pressure and speed. Catalog ratings are given at 75 psi (5,2) and zero rpm. Maximum recommended pressure is 110 psi (7,6 bar). Adjustment for operating pressure and speed is explained under Selection Procedure.

EB elements are available in 11 sizes. They are identified by the inside drum diameter in inches to which they expand and the width in inches of their friction lining. For instance, size 16EB475 is designed to expand to a 16 inch diameter drum and has a friction lining width of 4.75 inches. The smallest EB element will expand to a 4 inch (102 mm) diameter drum and the largest to a 24 inch (610 mm) diameter drum. Due to its small diameter, the 4EB125 does not have replaceable friction shoes. Instead, the friction material is bonded to its rubber tube.

Construction of the ER element is similar to the EB element, except for friction shoes. ER elements engage their drums directly with the outside rubber surface of their actuating tubes. This interface results in a friction force which provides a large torque in a relatively small package. It also provides electrical isolation between connecting shafts.

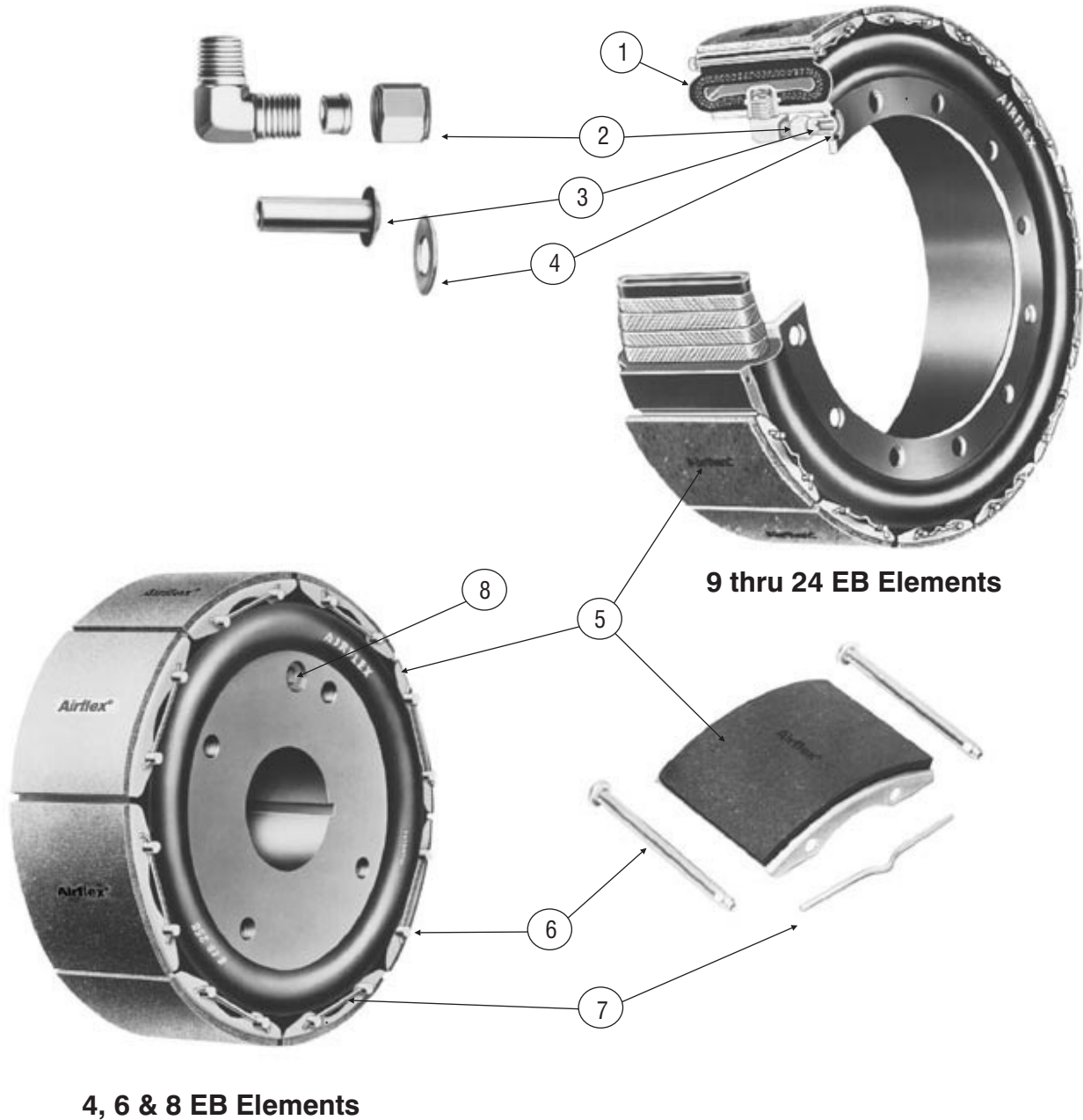
ER elements are used as shaft couplings or holding brakes where engagement occurs at zero speed differential between element and drum. They are ideal for applications in which a disconnect is required without stopping the prime mover or in which the driving and or driven equipment must be frequently withdrawn from the drive.

ER elements are identified similar to the EB elements. They are available in ten sizes. The smallest expands to a 3 inch (51 mm) diameter drum and the largest to a 24 inch (610 mm) diameter drum.

Where Used:

- Centrifuges
- Core Expanders
- Laundry Machines
- Textile Machines
- Tire Building Machines

Airflex® EB Components Descriptions



9 thru 24 EB Elements

4, 6 & 8 EB Elements

| Size | Torque Rating | |
|-----------|-------------------|-----------------|
| | English | SI |
| | lb in @ 75 psi | Nm @ 5,2 bar |
| 4EB125 | 390 | 44,1 |
| 6EB200 | 910 | 103 |
| 8EB250 | 2220 | 251 |
| 9EB325 | 3750 | 424 |
| 10EB300 | 4275 | 483 |
| 12EB350 | 7500 | 848 |
| 14EB400 | 12000 | 1360 |
| 16EB475 | 18750 | 2120 |
| 19EB475 | 27000 | 3050 |
| 21.5EB475 | 36000 | 4070 |
| 24EB475 | 45000 | 5090 |

| Size | Torque Rating | |
|-----------|-------------------|-----------------|
| | English | SI |
| | lb in @ 75 psi | Nm @ 5,2 bar |
| 3ER125 | 400 | 45,2 |
| 6ER200 | 1540 | 174 |
| 8ER250 | 3550 | 401 |
| 10ER300 | 6600 | 746 |
| 12ER350 | 12300 | 1390 |
| 14ER400 | 22600 | 2550 |
| 16ER475 | 32600 | 3680 |
| 19ER475 | 47600 | 5380 |
| 21.5ER475 | 63000 | 7120 |
| 24ER475 | 83500 | 9440 |

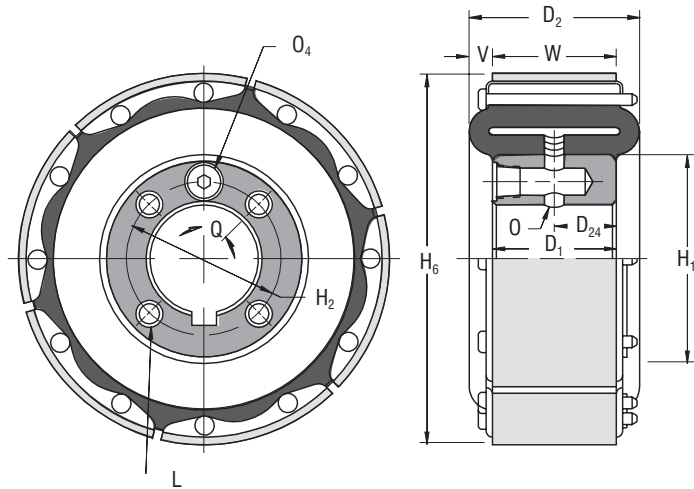
| Item | Component Description |
|-------|-------------------------------------|
| 1 | Rim or hub and tube assembly |
| 2 | Elbow assembly |
| 3 | Air connection tube |
| 4 | Air connection gasket |
| 5 | Friction shoe |
| 6 | Shoe pin |
| 7 | Lockwire |
| 8 | Pipe plug |
| 5,6,7 | Friction shoe, pin and lockwire kit |

Airflex® EB Elements



Form EB 701

Dimensional and Technical Data Sizes 4 to 8



| English | | lb in @ 75 psi | Dimensions in inches | | | | | | | | | | | | | | | |
|---------------|-------------|---------------------------------|---------------------------|------|----------------|----------------|-----------------|----------------|----------------|-----------------|----------|---------|------|----------------|---------|------|-----------|-------|
| 4EB125 | 143019 | 390 | 0.88 | 1.50 | 1.50 | 1.75 | 0.75 | 2.12 | 3.94 | 2.75 | 4 | 5/16-18 | 0.31 | 1/4-18 | 45.0 | 0.25 | 10 | 1.25 |
| 6EB200 | 143022 | 910 | 0.88 | 1.75 | 2.00 | 2.75 | 1.00 | 2.50 | 5.91 | 3.38 | 4 | 3/8-16 | 0.31 | 1/4-18 | 45.0 | 0.38 | 6 | 2.00 |
| 8EB250 | 143117 | 2220 | 1.25 | 3.50 | 2.50 | 3.25 | 1.25 | 4.38 | 7.84 | 5.38 | 4 | 3/8-16 | 0.31 | 1/8-27 | 22.5 | 0.38 | 8 | 2.50 |
| Size | Part Number | M _t Torque Rating | Bore Range | | D ₁ | D ₂ | D ₂₄ | H ₂ | H ₆ | H ₁₃ | No. Size | | O | O ₄ | Q (Deg) | V | No. Width | |
| | | | Min. | Max. | | | | | | | L | Size | | | | | No. | Width |
| | | | Min. | Max. | | | | | | | | | | | | | | |
| 4EB125 | 143019 | 44,1 | 22 | 38 | 38 | 44 | 19 | 54 | 100 | 70 | 4 | 5/16-18 | 8 | 1/4-18 | 45,0 | 6 | 10 | 32 |
| 6EB200 | 143022 | 103 | 22 | 44 | 51 | 70 | 25 | 64 | 150 | 86 | 4 | 3/8-16 | 8 | 1/4-18 | 45,0 | 10 | 6 | 51 |
| 8EB250 | 143117 | 251 | 32 | 89 | 64 | 83 | 32 | 111 | 199 | 137 | 4 | 3/8-16 | 8 | 1/8-27 | 22,5 | 10 | 8 | 64 |
| SI | | Nm @ 5,2 bar | Dimensions in millimeters | | | | | | | | | | | | | | | |

| English | | lb in @ 75 psi | rpm | psi/rpm ² | lb ft ² | lb | in ² | inches | | in ³ | in |
|---------------|-------------|---------------------------------|---------------|------------------------------------|--------------------|-----------|-----------------|------------------|------|-----------------|-----------------------|
| 4EB125 | 143019 | 390 | 1800 | * | 0.01 | 2.3 | 13 | ⑥ | ⑥ | 5 | 4.09 |
| 6EB200 | 143022 | 910 | 1800 | 1.1 | 0.25 | 7 | 36 | 0.14 | 0.06 | 10 | 6.09 |
| 8EB250 | 143117 | 2220 | 1800 | 1.2 | 1.00 | 19 | 60 | 0.12 | 0.06 | 15 | 8.09 |
| Size | Part Number | M _t Torque Rating | Maximum Speed | C _s Centrifugal Gain | Wk ² | | Friction Area | New Worn | | Air Tube Cavity | Maximum Drum Diameter |
| | | | | | J | ⑤ Mass | | Lining Thickness | | | |
| | | | | | | | | New | Worn | | |
| 4EB125 | 143019 | 44,1 | 1800 | * | 0,004 | 1,0 | 84 | ⑥ | ⑥ | 0,08 | 104 |
| 6EB200 | 143022 | 103 | 1800 | 0,1 | 0,11 | 3,2 | 232 | 4 | 2 | 0,16 | 155 |
| 8EB250 | 143117 | 251 | 1800 | 0,1 | 0,45 | 8,6 | 387 | 3 | 2 | 0,25 | 205 |
| SI | | Nm @ 5,2 bar | rpm | bar/rpm ² | kg·m ² | kg | cm ² | millimeters | | dm ³ | mm |

Notes:

- ① Refers to basic part number only. When ordering, it must be specified which air entry hole, O or O₄ is to be used.
- ② Dynamic torque shown, static torque approximately 25% greater. Torque in each application is dependent upon air pressure and speed.
- ③ American National Standard for Unified Screw Threads.
- ④ American National Pipe Thread
- ⑤ Based upon minimum bores.
- ⑥ Lining molded into rubber tube. Complete element should be replaced when dimension H₆ is worn to 3.88 in (98 mm) diameter.
- ⑦ Drum contact with worn shoes.

Airflex® EB Element



Form EB 702

Technical Data Sizes 9 to 24

| English | | lb in @ 75 psi | rpm | psi/rpm ² | lb ft ² | lb | in ² | inches | | in ³ | in |
|------------------|--------|-------------------|------|----------------------|--------------------|----|-----------------|--------|------|-----------------|-------|
| 9EB325 | 143274 | 3750 | 1800 | 1.6 E-06 | 1 | 9 | 88 | 0.20 | 0.06 | 30 | 9.09 |
| 10EB300 | 143119 | 4275 | 1800 | 2.2 E-06 | 1 | 10 | 91 | 0.20 | 0.06 | 47 | 10.09 |
| 12EB350 | 143122 | 7500 | 1800 | 3.4 E-06 | 3 | 16 | 126 | 0.20 | 0.06 | 45 | 12.09 |
| 14EB400 | 143126 | 12000 | 1500 | 4.3 E-06 | 5 | 23 | 167 | 0.20 | 0.06 | 55 | 14.09 |
| 16EB475 | 143129 | 18750 | 1300 | 6.4 E-06 | 11 | 40 | 232 | 0.26 | 0.06 | 195 | 16.13 |
| 19EB475 | 143131 | 27000 | 1100 | 10 E-06 | 20 | 49 | 270 | 0.26 | 0.06 | 235 | 19.13 |
| 21.5EB475 | 143134 | 36000 | 1000 | 13 E-06 | 34 | 62 | 306 | 0.26 | 0.06 | 280 | 21.63 |
| 24EB475 | 143137 | 45000 | 900 | 20 E-06 | 39 | 68 | 344 | 0.26 | 0.06 | 315 | 24.63 |

| Size | ① Part Number | ② M. Torque Rating | Maximum Speed | C _s Centrifugal Gain | Wk ² | | Friction Area | Lining Thickness | | ④ Max. Air Cavity | Max. Drum Diameter |
|------------------|------------------|-----------------------------|------------------|---------------------------------------|-----------------|------|------------------|------------------|------|-------------------------|--------------------------|
| | | | | | J | Mass | | New | Worn | | |
| | | | | | | | | New | Worn | | |
| 9EB325 | 143274 | 424 | 1800 | 0,1 E-06 | 0,042 | 4,1 | 568 | 5 | 2 | 0,49 | 231 |
| 10EB300 | 143119 | 483 | 1800 | 0,2 E-06 | 0,042 | 4,5 | 587 | 5 | 2 | 0,77 | 256 |
| 12EB350 | 143122 | 848 | 1800 | 0,2 E-06 | 0,126 | 7,2 | 813 | 5 | 2 | 0,74 | 307 |
| 14EB400 | 143126 | 1360 | 1500 | 0,3 E-06 | 0,210 | 10 | 1077 | 5 | 2 | 0,90 | 358 |
| 16EB475 | 143129 | 2120 | 1300 | 0,4 E-06 | 0,462 | 18 | 1496 | 7 | 2 | 3,20 | 410 |
| 19EB475 | 143131 | 3050 | 1100 | 0,7 E-06 | 0,840 | 22 | 1742 | 7 | 2 | 3,85 | 486 |
| 21.5EB475 | 143134 | 4070 | 1000 | 0,9 E-06 | 1,43 | 28 | 1974 | 7 | 2 | 4,59 | 549 |
| 24EB475 | 143137 | 5090 | 900 | 1,4 E-06 | 1,64 | 31 | 2219 | 7 | 2 | 5,17 | 626 |

| SI | | Nm @ 5,2 bar | rpm | bar/rpm ² | kg m ² | kg | cm ² | millimeters | | dm ³ | mm |
|----|--|-----------------|-----|----------------------|-------------------|----|-----------------|-------------|--|-----------------|----|
|----|--|-----------------|-----|----------------------|-------------------|----|-----------------|-------------|--|-----------------|----|

Notes:

- ① Refers to basic part number only.
- ② Dynamic torque shown, static torque approximately 25% greater. Torque in each application is dependent upon air pressure and speed.
- ③ Tolerances for sizes:
9 thru 14
+0.005/-0.000 in (0,13/-0,00 mm)
16 thru 24
+0.010/-0.000 in (0,25/-0,00 mm)
- ④ Drum contact with worn shoes.

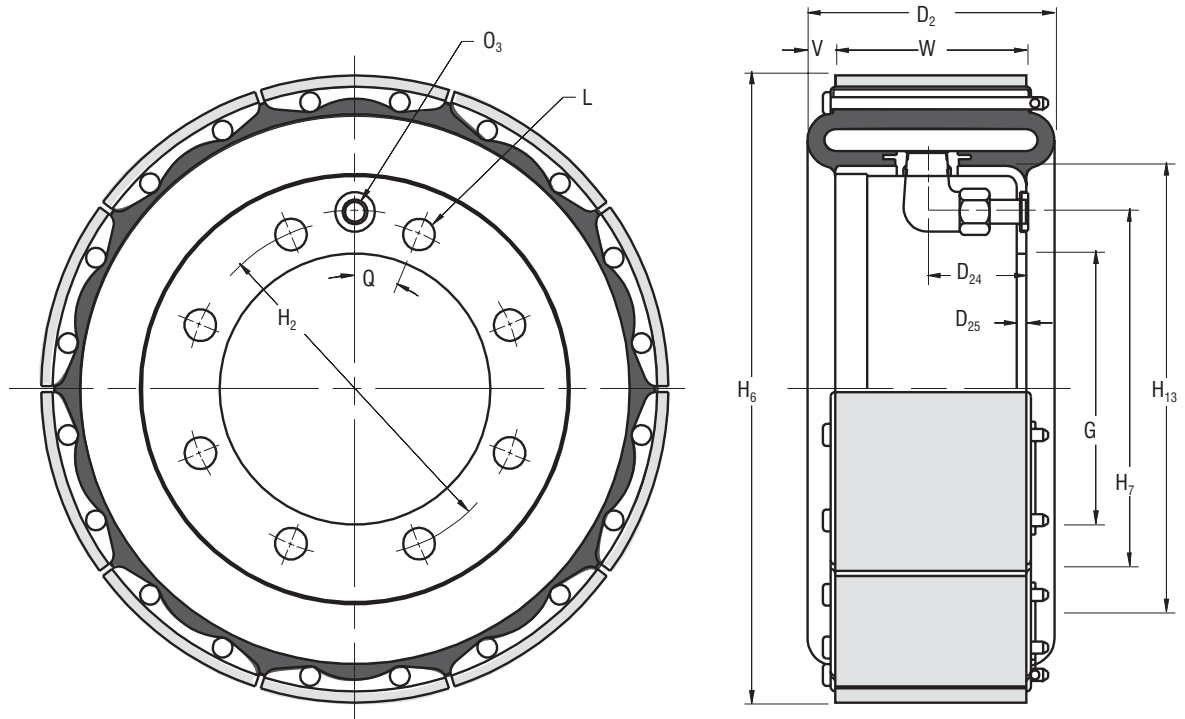
Airflex® EB Elements



Form EB 702

Dimensional Data

Sizes 9 to 24

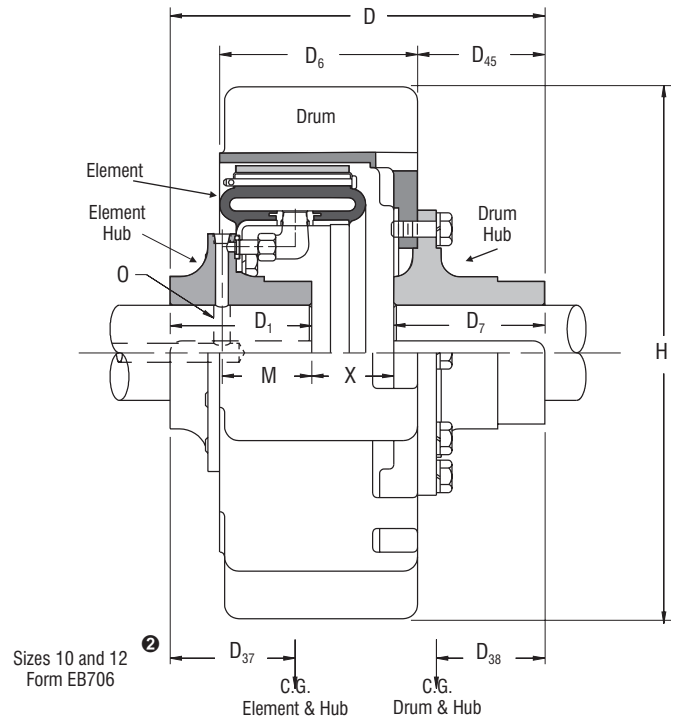
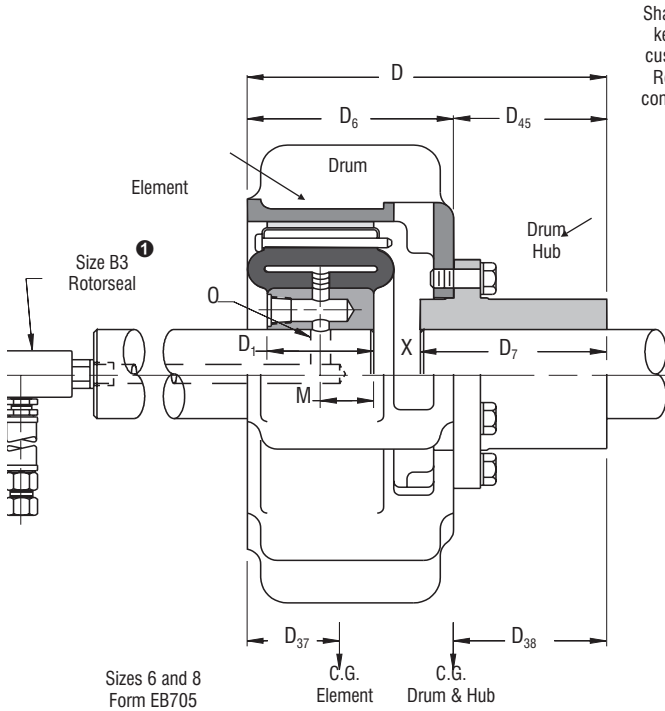


| English | | lb in @ 75 psi | Dimensions in inches | | | | | | | | | | | | | | |
|------------------|-------------|---------------------------------|---------------------------|-----------------|-----------------|--------|----------------|----------------|----------------|-----------------|----------|------|----------------|---------|------|-----------|-------|
| 9EB325 | 143274 | 3750 | 4.13 | 1.86 | 0.19 | 3.500 | 4.62 | 8.84 | 4.62 | 6.00 | 8 | 0.50 | 0.31 | 22.5 | 0.44 | 9 | 3.25 |
| 10EB300 | 143119 | 4275 | 3.88 | 1.56 | 0.16 | 4.250 | 5.25 | 9.84 | 5.56 | 7.00 | 8 | 0.50 | 0.31 | 22.5 | 0.44 | 10 | 3.00 |
| 12EB350 | 143122 | 7500 | 4.38 | 1.88 | 0.19 | 6.250 | 7.25 | 11.84 | 7.56 | 9.00 | 12 | 0.50 | 0.31 | 15.0 | 0.44 | 12 | 3.50 |
| 14EB400 | 143126 | 12000 | 4.88 | 1.88 | 0.19 | 8.250 | 9.25 | 13.84 | 9.56 | 11.00 | 12 | 0.50 | 0.31 | 15.0 | 0.44 | 14 | 4.00 |
| 16EB475 | 143129 | 18750 | 6.38 | 2.50 | 0.25 | 8.250 | 9.63 | 15.81 | 9.62 | 11.38 | 8 | 0.50 | 0.38 | 22.5 | 0.81 | 12 | 4.75 |
| 19EB475 | 143131 | 27000 | 6.38 | 2.50 | 0.25 | 9.625 | 11.00 | 18.81 | 11.00 | 14.38 | 6 | 0.75 | 0.38 | 30.0 | 0.81 | 14 | 4.75 |
| 21.5EB475 | 143134 | 36000 | 6.38 | 2.50 | 0.31 | 12.125 | 13.50 | 21.31 | 13.50 | 16.88 | 8 | 0.75 | 0.38 | 22.5 | 0.81 | 16 | 4.75 |
| 24EB475 | 143137 | 45000 | 6.38 | 2.50 | 0.31 | 14.625 | 16.00 | 23.81 | 16.00 | 19.38 | 8 | 0.75 | 0.38 | 22.5 | 0.81 | 18 | 4.75 |
| Size | Part Number | M _t Torque Rating | D ₂ | D ₂₄ | D ₂₅ | G | H ₂ | H ₆ | H ₇ | H ₁₃ | No. Dia. | | O ₃ | Q (Deg) | V | No. Width | |
| | | | | | | | | | | | L | Dia. | | | | No. | Width |
| | | | | | | | | | | | | | | | | | |
| 9EB325 | 143274 | 424 | 105 | 47 | 5 | 88,9 | 117 | 225 | 117 | 152 | 8 | 13 | 8 | 22,5 | 11 | 9 | 83 |
| 10EB300 | 143119 | 483 | 99 | 40 | 4 | 108,0 | 133 | 250 | 141 | 178 | 8 | 13 | 8 | 22,5 | 11 | 10 | 76 |
| 12EB350 | 143122 | 848 | 111 | 48 | 5 | 158,8 | 184 | 301 | 192 | 229 | 12 | 13 | 8 | 15,0 | 11 | 12 | 89 |
| 14EB400 | 143126 | 1360 | 124 | 48 | 5 | 209,6 | 235 | 352 | 243 | 279 | 12 | 13 | 8 | 15,0 | 11 | 14 | 102 |
| 16EB475 | 143129 | 2120 | 162 | 64 | 6 | 209,6 | 245 | 402 | 244 | 289 | 8 | 13 | 10 | 22,5 | 21 | 12 | 121 |
| 19EB475 | 143131 | 3050 | 162 | 64 | 6 | 244,5 | 279 | 478 | 279 | 365 | 6 | 19 | 10 | 30,0 | 21 | 14 | 121 |
| 21.5EB475 | 143134 | 4070 | 162 | 64 | 8 | 308,0 | 343 | 541 | 343 | 429 | 8 | 19 | 10 | 22,5 | 21 | 16 | 121 |
| 24EB475 | 143137 | 5090 | 162 | 64 | 8 | 371,5 | 406 | 605 | 406 | 492 | 8 | 19 | 10 | 22,5 | 21 | 18 | 121 |
| SI | | Nm @ 5,2 bar | Dimensions in millimeters | | | | | | | | | | | | | | |

Airflex® EB Clutch Application



Forms EB 705 and 706 Coupling Mounting Arrangement Dimensional Data – Sizes 6 to 12



| English | Part Number | lb in @ 75 psi | lb | Dimensions in inches | | | | | | | | | | | | |
|---------|-------------|------------------|-------------|---------------------------|------|-------|----------------|----------------|----------------|-----------------|-----------------|-----------------|-------|------|------|------|
| 6EB200 | 104305 | 910 | 25 | 0.88 | 1.75 | 6.75 | 2.00 | 3.88 | 3.50 | 1.4 | 3.4 | 2.87 | 9.00 | 1.00 | 0.38 | 0.88 |
| 8EB250 | 104306 | 2220 | 43 | 1.25 | 2.50 | 7.75 | 2.50 | 4.38 | 4.00 | 1.6 | 3.7 | 3.37 | 11.00 | 1.25 | 0.38 | 0.88 |
| 10EB300 | 105575 | 4275 | 63 | 1.50 | 2.50 | 10.00 | 3.75 | 5.25 | 4.00 | 2.6 | 4.3 | 3.38 | 14.00 | 2.38 | 0.44 | 2.25 |
| 12EB350 | 104307 | 7500 | 104 | 1.63 | 3.00 | 10.50 | 4.25 | 6.00 | 4.25 | 3.2 | 4.3 | 3.13 | 16.00 | 2.88 | 0.44 | 2.00 |
| Size | Part Number | M. Torque Rating | Weight Mass | Bore Range | | D | D ₁ | D ₆ | D ₇ | D ₃₇ | D ₃₈ | D ₄₅ | H | M | O | X |
| | | | | Min. | Max. | | | | | | | | | | | |
| 6EB200 | 104305 | 103 | 11 | 22 | 44 | 171 | 51 | 99 | 89 | 36 | 86 | 73 | 229 | 25 | 10 | 22 |
| 8EB250 | 104306 | 250 | 19 | 32 | 64 | 197 | 64 | 111 | 102 | 41 | 94 | 86 | 279 | 32 | 10 | 22 |
| 10EB300 | 105575 | 480 | 29 | 38 | 64 | 254 | 95 | 133 | 102 | 66 | 109 | 86 | 356 | 60 | 11 | 57 |
| 12EB350 | 104307 | 850 | 47 | 41 | 76 | 267 | 108 | 152 | 108 | 81 | 109 | 80 | 406 | 73 | 11 | 51 |
| SI | Part Number | N m @ 5,2 bar | kg | Dimensions in millimeters | | | | | | | | | | | | |

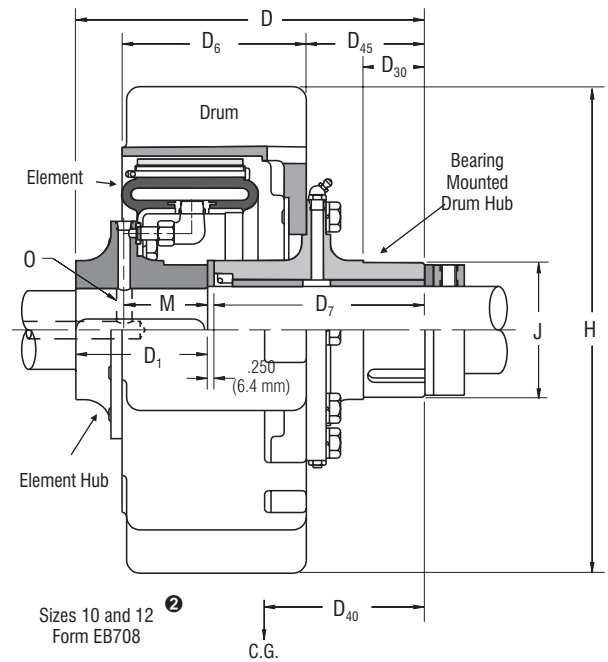
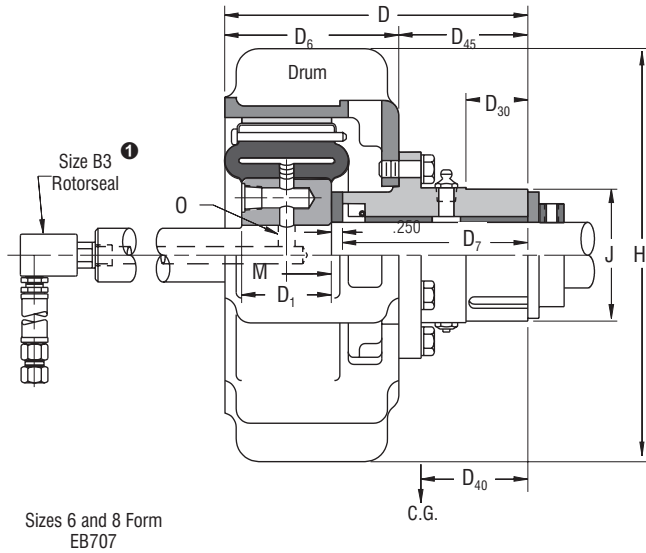
- Notes:**
- ① Refer to Rotorseal Section for mounting and dimension information.
 - ② For larger sizes, it is recommended that the E product line be used. See Form E604.
 - ③ Refers to basic part number only and does not include the rotorseal and hose.
 - ④ Dynamic torque shown, static torque approximately 25% greater. Torque in each application is dependent upon air pressure and speed.
 - ⑤ Based upon minimum bores. Rotorseal and hose not included.

Airflex® EB Clutch Application



Forms EB 707 and 708 Bearing Arrangement – Dimensional Data – Sizes 6 to 12

Shaft and keys by customer.
Refer to component catalog pages for component details.



| English | lb in @ 75 psi | lb | Dimensions in inches | | | | | | | | | | | | |
|----------------|--------------------------|-------------------------------|---------------------------|------------|------|-------|----------------|----------------|----------------|-----------------|-----------------|-------|------------------|------|------|
| 6EB200 | 106914 | 910 | 25 | 0.88 | 1.75 | 6.75 | 2.00 | 3.88 | 4.13 | 1.38 | 3.8 | 9.00 | 2.875 | 1.00 | 0.38 |
| 8EB250 | 106915 | 2200 | 49 | 1.25 | 2.50 | 7.75 | 2.50 | 4.38 | 4.63 | 1.88 | 4.3 | 11.00 | 3.875 | 1.25 | 0.38 |
| 10EB300 | 106935 | 4275 | 69 | 1.50 | 2.50 | 10.00 | 3.75 | 5.25 | 6.00 | 1.75 | 5.4 | 14.00 | 3.875 | 2.38 | 0.44 |
| 12EB350 | 106936 | 7500 | 110 | 1.63 | 3.00 | 10.50 | 4.25 | 6.00 | 6.00 | 1.63 | 5.7 | 16.00 | 4.875 | 4.25 | 0.44 |
| Size | Part Number ^③ | M, Torque Rating ^④ | Weight ^⑤ Mass | Bore Range | | D | D ₁ | D ₆ | D ₇ | D ₃₀ | D ₄₀ | H | J _{MAX} | M | O |
| | | | | Min. | Max. | | | | | | | | | | |
| | | | | Min. | Max. | | | | | | | | | | |
| 6EB200 | 106914 | 103 | 11 | 22 | 44 | 171 | 51 | 99 | 105 | 35 | 97 | 229 | 73,0 | 25 | 10 |
| 8EB250 | 106915 | 249 | 22 | 32 | 64 | 197 | 64 | 111 | 118 | 48 | 109 | 279 | 98,4 | 32 | 10 |
| 10EB300 | 106935 | 483 | 31 | 38 | 64 | 254 | 95 | 133 | 152 | 44 | 137 | 356 | 98,4 | 60 | 11 |
| 12EB350 | 106936 | 848 | 50 | 41 | 76 | 267 | 108 | 152 | 152 | 41 | 145 | 406 | 123,8 | 108 | 11 |
| SI | Nm @ 5,2 bar | kg | Dimensions in millimeters | | | | | | | | | | | | |

Notes:

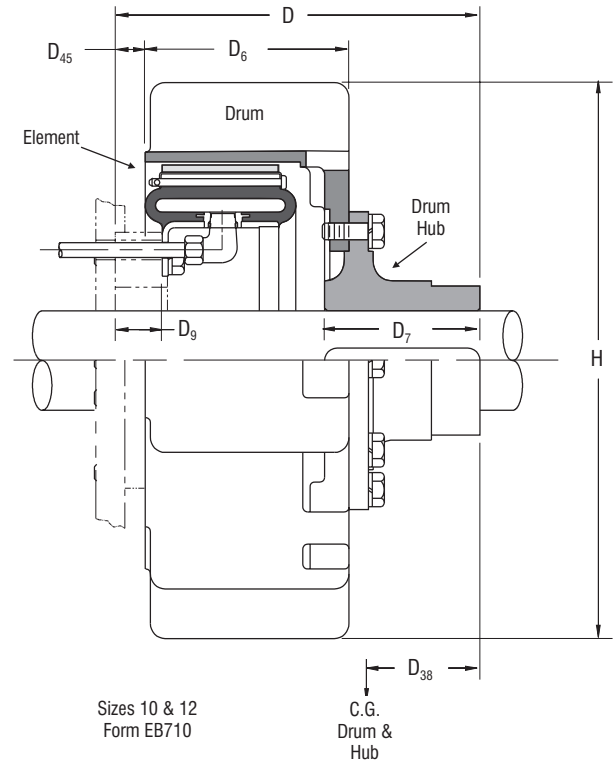
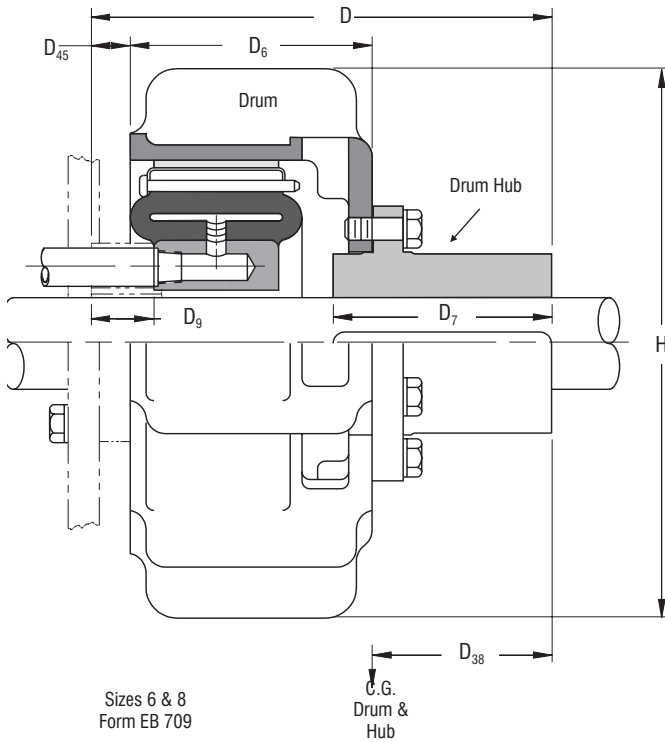
- ① Refer to Rotorseal Section for mounting and dimension information.
- ② For larger sizes, it is recommended that the E product line be used. See Form E604.
- ③ Refers to basic part number only and does not include the rotorseal and hose.
- ④ Dynamic torque shown, static torque approximately 25% greater. Torque in each application is dependent upon air pressure and speed.
- ⑤ Based upon minimum bores. Rotorseal and hose not included.

Airflex® EB Brake Application



Forms EB 709 and 710 Dimensional Data Sizes 6 to 12

Shaft, key, and reaction members by customer.
Refer to component catalog pages
for component details.



| English | | lb in @ 75 psi | lb | Dimensions in inches | | | | | | | | |
|----------------|-------------|-------------------|-------------|---------------------------|------|------|----------------|----------------|----------------|-----------------|-----------------|-------|
| 6EB200 | 104308 | 910 | 25 | 0.88 | 1.75 | 7.38 | 3.88 | 3.50 | 1.00 | 3.25 | 0.63 | 9.00 |
| 8EB250 | 104309 | 2220 | 48 | 1.25 | 2.50 | 8.38 | 4.38 | 4.00 | 1.00 | 3.50 | 0.63 | 11.00 |
| 10EB300 | 104310 | 4275 | 51 | 1.50 | 2.50 | 9.38 | 5.25 | 4.00 | 1.13 | 4.00 | 0.75 | 14.00 |
| 12EB350 | 104311 | 7500 | 80 | 1.63 | 3.00 | 9.88 | 6.00 | 4.25 | 1.06 | 4.00 | 0.75 | 16.00 |
| Size | Part Number | M, Torque Rating | Weight Mass | Bore Range | | D | D ₆ | D ₇ | D ₉ | D ₃₈ | D ₄₅ | H |
| | | | | Min. | Max. | | | | | | | |
| | | | | Min. | Max. | | | | | | | |
| 6EB200 | 104308 | 103 | 11 | 22 | 44 | 187 | 99 | 89 | 25 | 83 | 16 | 229 |
| 8EB250 | 104309 | 251 | 22 | 32 | 64 | 213 | 111 | 102 | 25 | 89 | 16 | 279 |
| 10EB300 | 104310 | 483 | 23 | 38 | 64 | 238 | 133 | 102 | 29 | 102 | 19 | 356 |
| 12EB350 | 104311 | 848 | 36 | 41 | 76 | 251 | 152 | 108 | 27 | 102 | 19 | 406 |
| SI | | Nm @ 5,2 bar | kg | Dimensions in millimeters | | | | | | | | |

Notes:

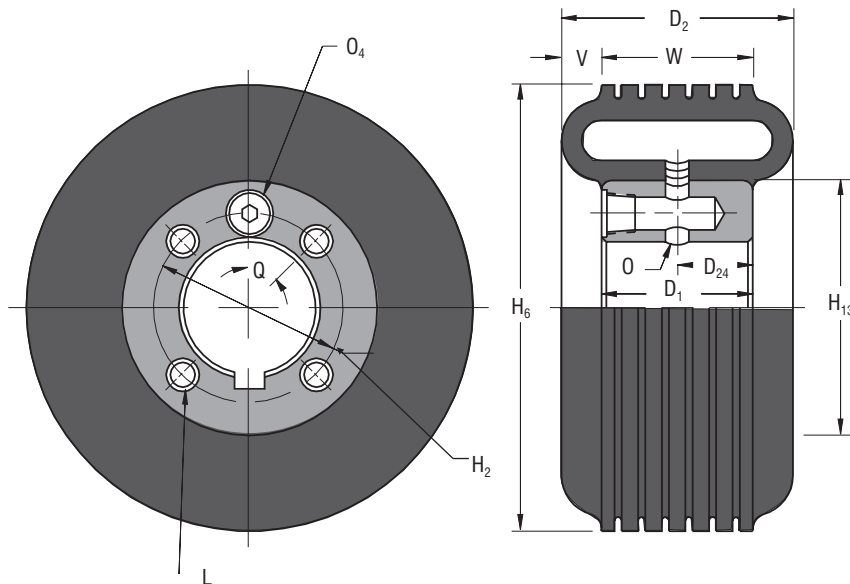
- ① Refers to basic part number only.
- ② Dynamic torque shown, static torque approximately 25% greater. Torque in each application is dependent upon air pressure and speed.
- ③ Based upon minimum bores.

Airflex® ER Elements



Form ER 703

Dimensional and Technical Data Sizes 3 to 8



| English | | lb in @ 75 psi | Dimensions in inches | | | | | | | | | | | | | | | |
|---------------|-------------|---------------------------------|----------------------|------|----------------|----------------|-----------------|----------------|----------------|-----------------|----------------|--------|-------|------|----------------|------------|------|------|
| 3ER125 | 512175 | 400 | - | 0.98 | 1.50 | 1.75 | 0.75 | NA | 2.94 | 1.75 | NA | NA | NA | 0.38 | NA | NA | 0.25 | 1.25 |
| 6ER200 | 145158 | 1540 | 0.88 | 1.75 | 2.00 | 3.06 | 1.00 | 2.50 | 5.91 | 3.38 | 4 | 3/8-16 | 0.62 | 0.31 | 1/4-18 | 45.0 | 0.53 | 2.00 |
| 8ER250 | 145159 | 3550 | 1.25 | 3.50 | 2.50 | 3.56 | 1.25 | 4.38 | 7.91 | 5.38 | 4 | 3/8-16 | 0.88 | 0.31 | 1/4-18 | 22.5 | 0.53 | 2.50 |
| Size | Part Number | M _s Torque Rating | Bore Range | | D ₁ | D ₂ | D ₂₄ | H ₂ | H ₆ | H ₁₃ | L ^③ | | | O | O ₄ | Q (Deg) | V | W |
| | | | Min. | Max. | | | | | | | No. | Size | Depth | | | | | |
| | | | Min. | Max. | | | | | | | No. | Size | Depth | | | | | |
| 3ER125 | 512175 | 45.2 | - | 25 | 38 | 44 | 19 | NA | 75 | 44 | NA | NA | NA | 10 | NA | NA | 6 | 32 |
| 6ER200 | 145158 | 174 | 22 | 44 | 51 | 78 | 25 | 64 | 150 | 86 | 4 | 3/8-16 | 16 | 8 | 1/4-18 | 45.0 | 13 | 51 |
| 8ER250 | 145159 | 401 | 32 | 89 | 64 | 90 | 32 | 111 | 201 | 137 | 4 | 3/8-16 | 22 | 8 | 1/4-18 | 22.5 | 13 | 64 |

| SI | | Nm @ 5,2 bar | Dimensions in millimeters | | | | | | | | | | | | | | | | |
|---------------|-------------|---------------------------------|---------------------------|----------------------|-----|-----------------|------------------------------------|--------------------------|--|--|--|--|--|--|--|--|--|--|--|
| English | | lb in @ 75 psi | rpm | lb ft ² | lb | in ³ | in | | | | | | | | | | | | |
| 3ER125 | 512175 | 400 | 1800 | 0.01 | 1.1 | 4 | 3.09 | | | | | | | | | | | | |
| 6ER200 | 145158 | 1540 | 1800 | 0.1 | 7 | 20 | 6.09 | | | | | | | | | | | | |
| 8ER250 | 145159 | 3550 | 1800 | 0.5 | 18 | 35 | 8.09 | | | | | | | | | | | | |
| Size | Part Number | M _s Torque Rating | Maximum Speed | Wk ² J | ⑥ | Weight Mass | Maximum Air Cavity ^⑤ | Maximum Drum Diameter | | | | | | | | | | | |
| | | | | | | | | | | | | | | | | | | | |
| 3ER125 | 512175 | 45.2 | 1800 | 0.001 | | 0.5 | 0.07 | 78 | | | | | | | | | | | |
| 6ER200 | 145158 | 174 | 1800 | 0.004 | | 3.2 | 0.33 | 155 | | | | | | | | | | | |
| 8ER250 | 145159 | 401 | 1800 | 0.02 | | 8.2 | 0.57 | 205 | | | | | | | | | | | |
| SI | | Nm @ 5,2 bar | rpm | kg m ² | kg | dm ³ | mm | | | | | | | | | | | | |

Notes:

- ① Refers to basic part number only. When ordering, it must be specified which air entry hole, O or O₄ is to be used.
- ② Static torque.
- ③ American National Standard for Unified Screw Threads.
- ④ American National Pipe Thread
- ⑤ Drum contact with worn shoes.
- ⑥ Based upon minimum bores.
- ⑦ This element has six equally spaced rubber pads on the tube diameter instead of circumferential grooves.

Airflex® ER Elements



Form ER 704

Technical Data

Sizes 10 to 24

| English | | lb in @ 75 psi | rpm | lb ft ² | lb | in ³ | in |
|------------------|-----------------------------|-------------------------------------|------------------|--------------------|--------|------------------------------------|-----------------------------|
| 10ER300 | 145161 | 6600 | 1800 | 0.8 | 8 | 75 | 10.09 |
| 12ER350 | 145164 | 12300 | 1800 | 2 | 13 | 80 | 12.09 |
| 14ER400 | 145168 | 22600 | 1500 | 4 | 17 | 105 | 14.09 |
| 16ER475 | 145171 | 32600 | 1300 | 7 | 31 | 135 | 16.13 |
| 19ER475 | 145174 | 47600 | 1100 | 15 | 39 | 330 | 19.13 |
| 21.5ER475 | 145177 | 63000 | 1000 | 27 | 52 | 335 | 21.63 |
| 24ER475 | 145180 | 83500 | 900 | 41 | 61 | 375 | 24.13 |
| Size | Part ^① Number | M. ^② Torque Rating | Maximum Speed | Wk ² | Weight | Air ^③ Tube Cavity | Maximum Drum Diameter |
| | | | | J | Mass | | |
| 10ER300 | 145161 | 746 | 1800 | 0,03 | 3,6 | 1,23 | 256 |
| 12ER350 | 145164 | 1390 | 1800 | 0,08 | 5,9 | 1,31 | 307 |
| 14ER400 | 145168 | 2550 | 1500 | 0,17 | 7,7 | 1,72 | 358 |
| 16ER475 | 145171 | 3680 | 1300 | 0,29 | 14 | 2,21 | 410 |
| 19ER475 | 145174 | 5380 | 1100 | 0,63 | 18 | 5,41 | 486 |
| 21.5ER475 | 145177 | 7120 | 1000 | 1,13 | 24 | 5,49 | 549 |
| 24ER475 | 145180 | 9440 | 900 | 1,72 | 28 | 6,15 | 613 |
| SI | | Nm @ 5,2 bar | rpm | kg m ² | kg | dm ³ | mm |

Notes:

- ① Refers to basic part number only.
- ② Static torque.
- ③ Drum contact with worn shoes.

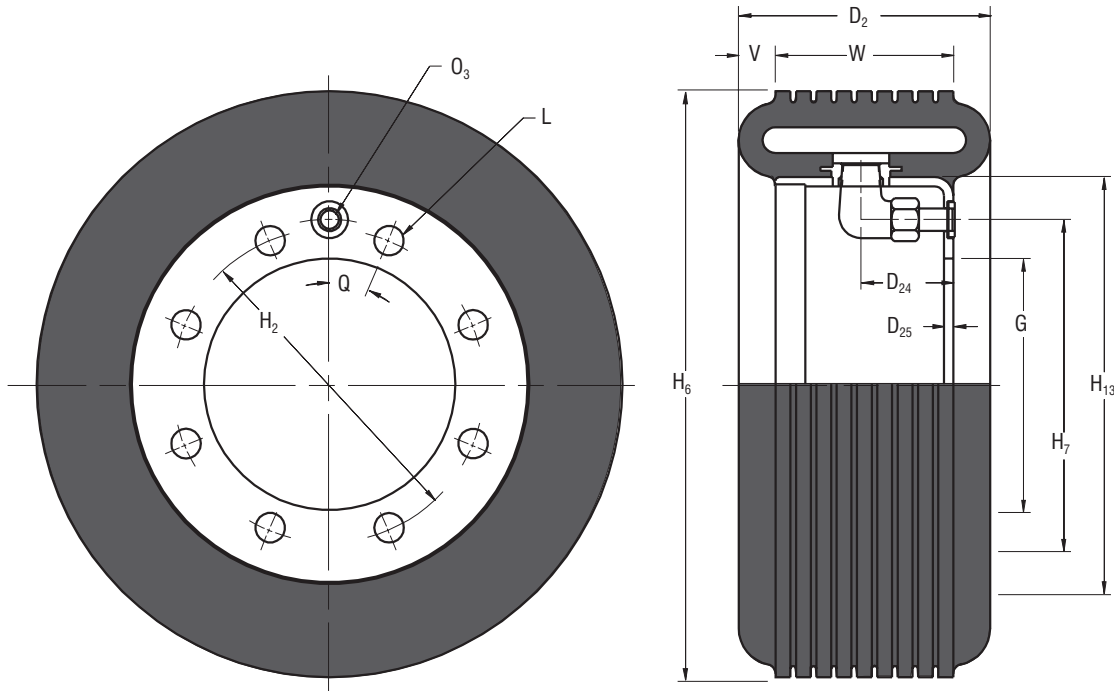
Airflex® ER Elements



Form ER 704

Dimensional Data

Sizes 10 to 24



| English | | Ibin @ 75 psi | Dimensions in inches | | | | | | | | | | | | | |
|------------------|---------------------|-----------------------------|---------------------------|-----------------|-----------------|--------|----------------|----------------|----------------|-----------------|----------|------|----------------|------|------|------|
| 10ER300 | 145161 | 6600 | 4.25 | 1.56 | 0.16 | 4.250 | 5.25 | 9.90 | 5.56 | 7.00 | 8 | 0.50 | 0.31 | 22.5 | 0.63 | 3.00 |
| 12ER350 | 145164 | 12300 | 4.75 | 1.88 | 0.19 | 6.250 | 7.25 | 11.90 | 7.56 | 9.00 | 12 | 0.50 | 0.31 | 15.0 | 0.63 | 3.50 |
| 14ER400 | 145168 | 22600 | 5.25 | 1.88 | 0.19 | 8.250 | 9.25 | 13.91 | 9.56 | 11.00 | 12 | 0.50 | 0.31 | 15.0 | 0.63 | 4.00 |
| 16ER475 | 145171 | 32600 | 6.63 | 2.50 | 0.25 | 8.250 | 9.63 | 15.81 | 9.62 | 11.38 | 8 | 0.50 | 0.38 | 22.5 | 0.94 | 4.75 |
| 19ER475 | 145174 | 47600 | 6.63 | 2.50 | 0.25 | 9.625 | 11.00 | 18.81 | 11.00 | 14.38 | 6 | 0.75 | 0.38 | 30.0 | 0.94 | 4.75 |
| 21.5ER475 | 145177 | 63000 | 6.63 | 2.50 | 0.31 | 12.125 | 13.50 | 21.31 | 13.50 | 16.88 | 8 | 0.75 | 0.38 | 22.5 | 0.94 | 4.75 |
| 24ER475 | 145180 | 83500 | 6.63 | 2.50 | 0.31 | 14.625 | 16.00 | 23.81 | 16.00 | 19.38 | 8 | 0.75 | 0.38 | 22.5 | 0.94 | 4.75 |
| Size | ① Part Number | ② M, Torque Rating | D ₂ | D ₂₄ | D ₂₅ | G | H ₂ | H ₆ | H ₇ | H ₁₃ | No. Dia. | | O ₃ | Q | V | W |
| | | | | | | | | | | | L | | | | | |
| | | | | | | | | | | | No. | Dia. | | | | |
| 10ER300 | 145161 | 746 | 108 | 40 | 4 | 108,0 | 133 | 251 | 141 | 178 | 8 | 13 | 8 | 23 | 16 | 76 |
| 12ER350 | 145164 | 1390 | 121 | 48 | 5 | 158,8 | 184 | 302 | 192 | 229 | 12 | 13 | 8 | 15 | 16 | 89 |
| 14ER400 | 145168 | 2550 | 133 | 48 | 5 | 209,6 | 235 | 353 | 243 | 279 | 12 | 13 | 8 | 15 | 16 | 102 |
| 16ER475 | 145171 | 3680 | 168 | 64 | 6 | 209,6 | 245 | 402 | 244 | 289 | 8 | 13 | 10 | 23 | 24 | 121 |
| 19ER475 | 145174 | 5380 | 168 | 64 | 6 | 244,5 | 279 | 478 | 279 | 365 | 6 | 19 | 10 | 30 | 24 | 121 |
| 21.5ER475 | 145177 | 7120 | 168 | 64 | 8 | 308,0 | 343 | 541 | 343 | 429 | 8 | 19 | 10 | 23 | 24 | 121 |
| 24ER475 | 145180 | 9440 | 168 | 64 | 8 | 371,5 | 406 | 605 | 406 | 492 | 8 | 19 | 10 | 23 | 24 | 121 |
| SI | | N m @ 5,2 bar | Dimensions in millimeters | | | | | | | | | | | | | |

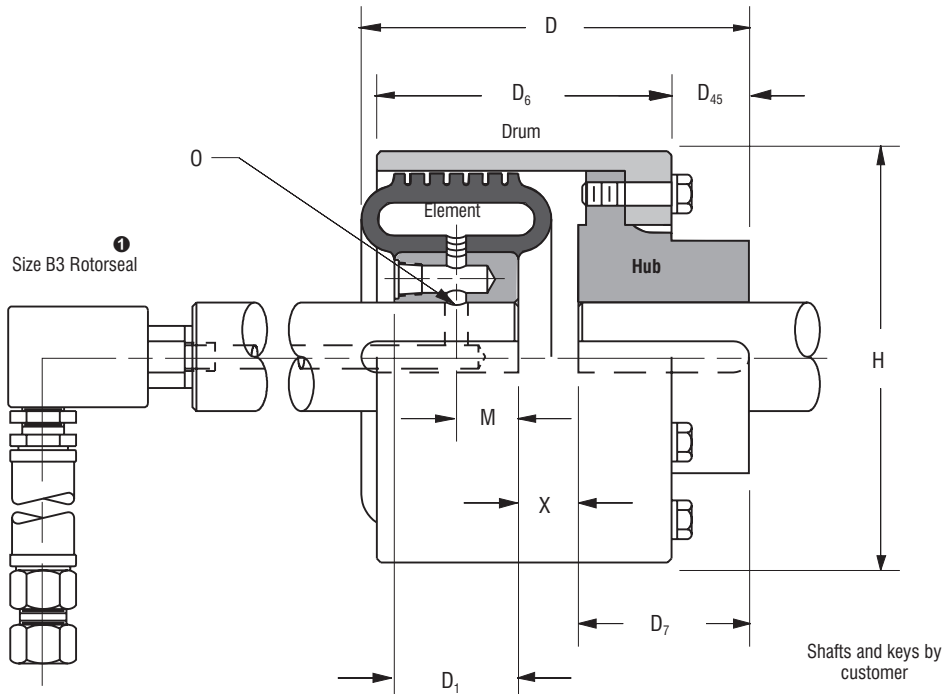
Airflex® ER Coupling Application



Form ER 716

Dimensional Data

Sizes 6 and 8



| English | lb in @ 75 psi | lb | Dimensions in inches | | | | | | | | |
|---------|--------------------------|--------------------|---------------------------|----------------|----------------|----------------|-----------------|------|------|------|------|
| 6ER200 | 1540 | 30 | 6.00 | 2.00 | 4.50 | 2.75 | 1.25 | 6.63 | 1.00 | 0.28 | 0.75 |
| 8ER250 | 3550 | 50 | 7.00 | 2.50 | 5.00 | 3.25 | 1.75 | 8.63 | 1.25 | 0.28 | 0.75 |
| Size | M, ② Torque Rating | Weight ③ Mass ③ | D | D ₁ | D ₆ | D ₇ | D ₄₅ | H | M | O | X |
| 6ER200 | 174 | 14 | 152 | 51 | 114 | 70 | 32 | 168 | 25 | 7 | 19 |
| 8ER250 | 401 | 23 | 178 | 64 | 127 | 83 | 44 | 219 | 32 | 7 | 19 |
| SI | Nm @ 5,2 bar | kg | Dimensions in millimeters | | | | | | | | |

Notes:

- ① Refer to Rotorseal for mounting and dimension information.
- ② Static Torque.
- ③ Based on minimum bores.

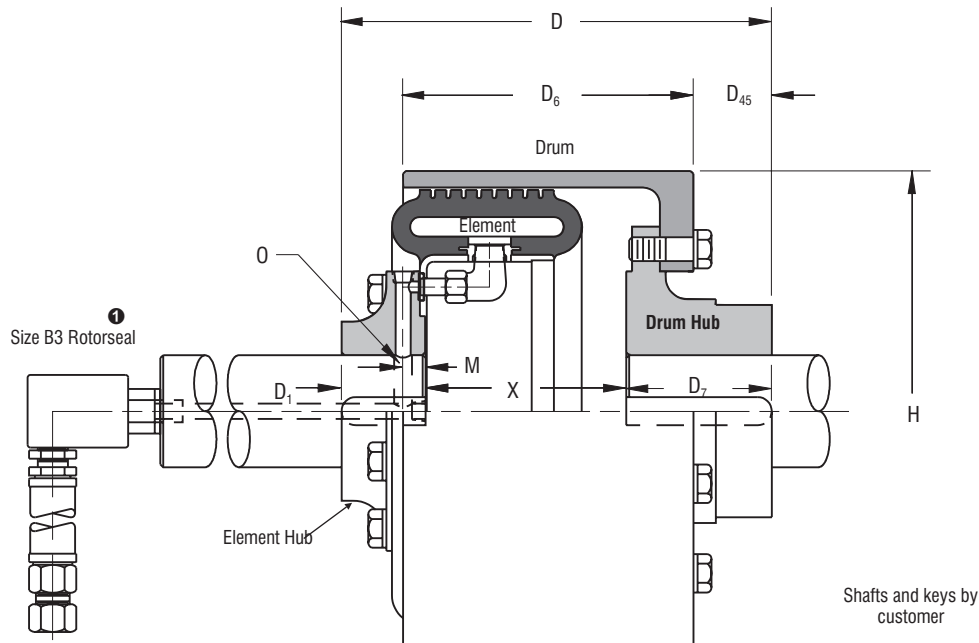
Airflex[®] ER Coupling Application



Form ER 717

Dimensional Data

Sizes 10 to 24



| English | lb in @ 75 psi | lb | Dimensions in inches | | | | | | | | | | |
|-----------|---|-----------------------------|---------------------------|------|-------|----------------|----------------|----------------|-----------------|-------|------|------|------|
| 10ER300 | 6600 | 70 | 1.50 | 2.50 | 10.75 | 2.88 | 6.50 | 3.25 | 1.75 | 10.75 | 1.38 | 0.34 | 4.63 |
| 12ER350 | 12300 | 120 | 1.50 | 3.00 | 13.50 | 3.38 | 7.00 | 5.00 | 3.50 | 12.75 | 1.38 | 0.34 | 5.13 |
| 14ER400 | 22600 | 185 | 1.75 | 4.50 | 16.63 | 5.13 | 7.50 | 5.75 | 4.75 | 14.75 | 1.38 | 0.44 | 5.75 |
| 16ER475 | 32600 | 220 | 2.25 | 4.50 | 18.00 | 5.13 | 9.00 | 5.75 | 4.75 | 16.75 | 1.38 | 0.34 | 7.13 |
| 19ER475 | 47600 | 275 | 2.25 | 4.50 | 18.00 | 5.13 | 9.00 | 5.75 | 4.75 | 19.75 | 1.38 | 0.34 | 7.13 |
| 21.5ER475 | 63000 | 360 | 2.25 | 4.50 | 19.50 | 5.88 | 9.00 | 6.50 | 5.50 | 22.25 | 1.44 | 0.34 | 7.13 |
| 24ER475 | 83500 | 390 | 2.75 | 4.75 | 19.50 | 5.88 | 9.00 | 6.50 | 5.50 | 24.75 | 1.44 | 0.34 | 7.13 |
| Size | M _s Torque Rating ² | Weight Mass ³ | Min. | Max. | D | D ₁ | D ₆ | D ₇ | D ₄₅ | H | M | O | X |
| | | | Bore Range | | | | | | | | | | |
| | | | Min. | Max. | | | | | | | | | |
| 10ER300 | 746 | 32 | 38 | 64 | 273 | 73 | 165 | 83 | 44 | 273 | 35 | 9 | 117 |
| 12ER350 | 1390 | 54 | 38 | 76 | 343 | 86 | 178 | 127 | 89 | 324 | 35 | 9 | 130 |
| 14ER400 | 2550 | 84 | 44 | 114 | 422 | 130 | 191 | 146 | 121 | 375 | 35 | 11 | 146 |
| 16ER475 | 3680 | 100 | 57 | 114 | 457 | 130 | 229 | 146 | 121 | 425 | 35 | 9 | 181 |
| 19ER475 | 5380 | 125 | 57 | 114 | 457 | 130 | 229 | 146 | 121 | 502 | 35 | 9 | 181 |
| 21.5ER475 | 7120 | 163 | 57 | 114 | 495 | 149 | 229 | 165 | 140 | 565 | 37 | 9 | 181 |
| 24ER475 | 9440 | 177 | 70 | 121 | 495 | 149 | 229 | 165 | 140 | 629 | 37 | 9 | 181 |
| SI | Nm @ 5,2 bar | kg | Dimensions in millimeters | | | | | | | | | | |

Notes:

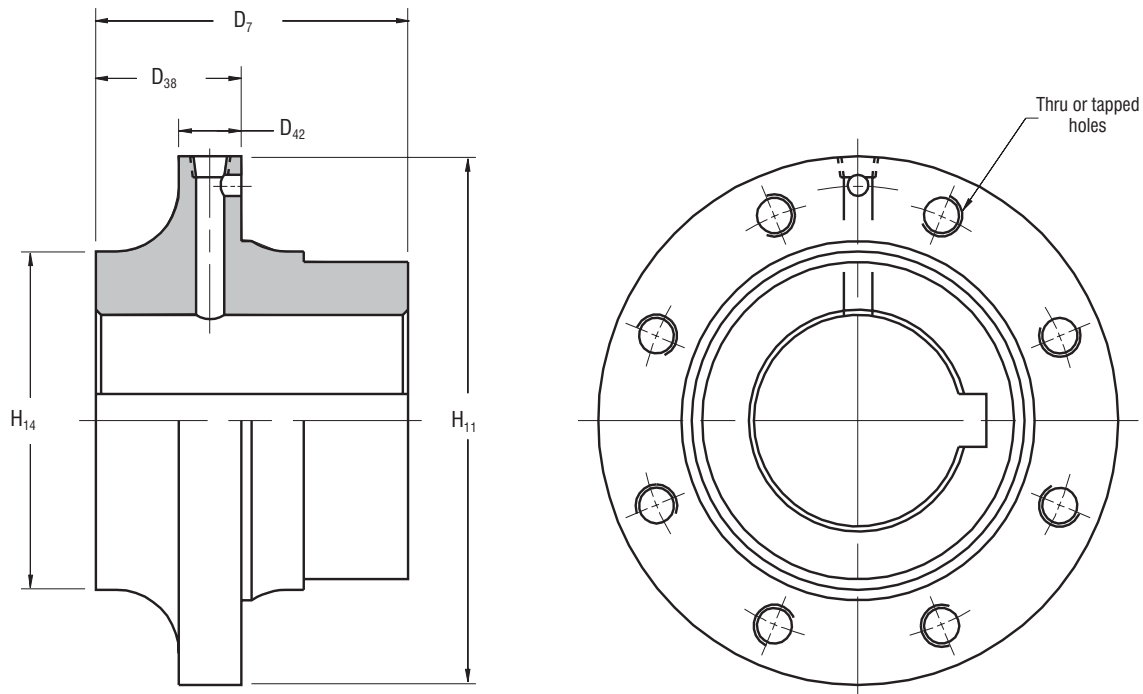
- ① Refer to Rotorseal Section for mounting and dimension information.
- ② Static torque.
- ③ Based upon minimum bores.

Airflex® EB and ER Mounting Components



Form EB 711

Element Hub – Dimensional and Technical Data – Sizes 10 to 24



| English | Thru Holes | Tapped Holes | lb | lb ft ² | Dimensions in inches | | | | |
|-------------------------|-------------|--------------|----------------|----------------------|---------------------------|-----------------|-----------------|-----------------|-----------------|
| 10EB&ER300 | 402469 | 402470 | 12 | 0.5 | 3.75 | 1.75 | 0.75 | 6.25 | 4.00 |
| 12EB&ER350 | 402471 | 402472 | 24 | 1 | 4.25 | 1.75 | 0.75 | 8.25 | 5.00 |
| 14EB&ER400 | 402473 | 402474 | 55 | 3 | 6.00 | 1.75 | 0.75 | 10.38 | 7.00 |
| 16EB&ER475 | 402475 | 402476 | 56 | 4 | 6.00 | 1.75 | 0.75 | 10.63 | 7.00 |
| 19EB&ER475 | 402477 | 402478 | 64 | 5 | 6.00 | 1.75 | 0.75 | 12.50 | 7.00 |
| 21.5EB&ER475 | 402479 | 402480 | 85 | 10 | 6.75 | 1.88 | 0.88 | 15.00 | 7.00 |
| 24EB&ER475 | 402481 | 402482 | 99 | 16 | 6.75 | 1.88 | 0.88 | 17.50 | 7.50 |
| Size | Part Number | | Weight Mass | Wk ² J | D ₇ | D ₂₉ | D ₄₂ | H ₁₁ | H ₁₄ |
| 10EB&ER300 | 402469 | 402470 | 5,4 | 0,02 | 95 | 44 | 19 | 159 | 102 |
| 12EB&ER350 | 402471 | 402472 | 11 | 0,04 | 108 | 44 | 19 | 210 | 127 |
| 14EB&ER400 | 402473 | 402474 | 25 | 0,13 | 152 | 44 | 19 | 264 | 178 |
| 16EB&ER475 | 402475 | 402476 | 25 | 0,17 | 152 | 44 | 19 | 270 | 178 |
| 19EB&ER475 | 402477 | 402478 | 29 | 0,21 | 152 | 44 | 19 | 318 | 178 |
| 21.5EB&ER475 | 402479 | 402480 | 39 | 0,42 | 171 | 48 | 22 | 381 | 178 |
| 24EB&ER475 | 402481 | 402482 | 45 | 0,67 | 171 | 48 | 22 | 445 | 191 |
| SI | Thru Holes | Tapped Holes | kg | kg m ² | Dimensions in millimeters | | | | |

Notes:

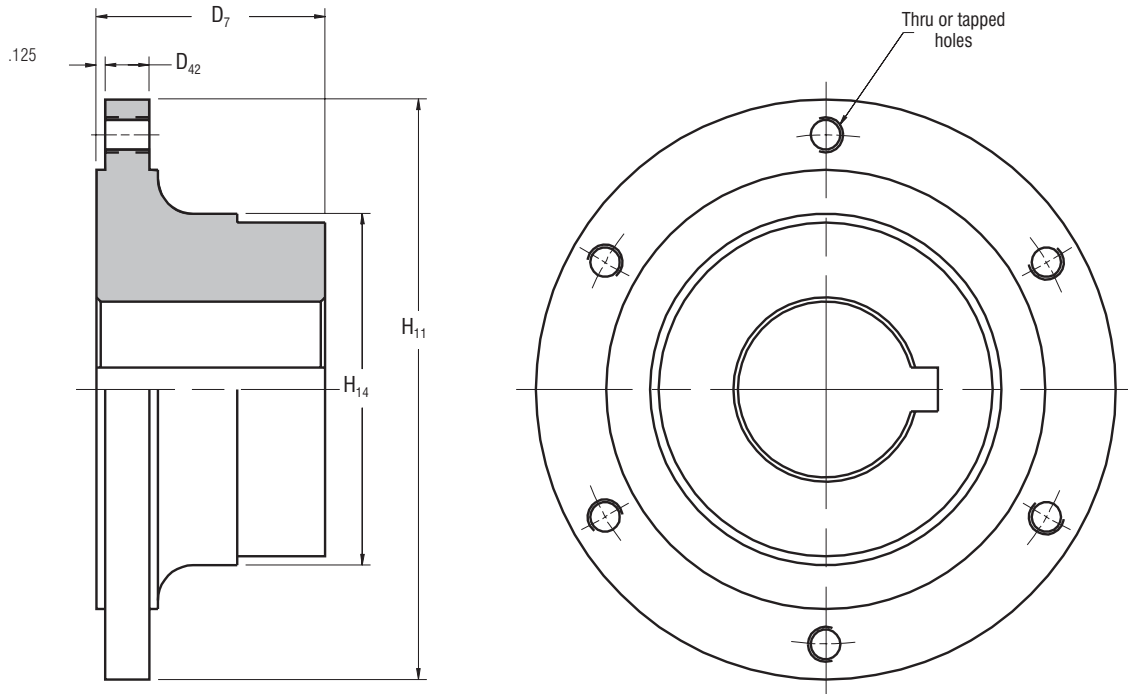
① Based upon minimum bores.

Airflex® EB and ER Mounting Components



Form EB 712

Hub for Non-Ventilated Internal Flange Drum
Dimensional and Technical Data – Sizes 6 to 24



| English | Thru Holes | Tapped Holes | lb | lb ft ² | Dimensions in inches | | | |
|--------------|-------------|--------------|----------------|----------------------|---------------------------|-----------------|-----------------|-----------------|
| 6EB&ER200 | 406900 | 406901 | 12 | 0.5 | 2.75 | 0.63 | 6.00 | 4.00 |
| 8EB&ER250 | N/A | 416087 | 18 | 0.9 | 3.25 | 0.63 | 8.25 | 5.00 |
| 10EB&ER300 | 406902 | 406903 | 18 | 0.9 | 3.25 | 0.63 | 8.25 | 5.00 |
| 12EB&ER350 | 406904 | 406905 | 46 | 3.5 | 5.00 | 0.63 | 10.25 | 7.00 |
| 14EB&ER400 | 406906 | 406907 | 68 | 6.5 | 5.75 | 0.75 | 13.50 | 7.00 |
| 16EB&ER475 | 406908 | 406909 | 74 | 6.5 | 5.75 | 0.75 | 15.00 | 7.50 |
| 19EB&ER475 | 406910 | 406911 | 93 | 8.5 | 5.75 | 0.75 | 17.50 | 7.50 |
| 21.5EB&ER475 | 406912 | 406913 | 131 | 29 | 6.50 | 0.75 | 20.00 | 8.50 |
| 24EB&ER475 | 406916 | 406917 | 132 | 30 | 6.50 | 0.75 | 21.50 | 8.50 |
| Size | Part Number | | Weight Mass | Wk ² J | D ₇ | D ₄₂ | H ₁₁ | H ₁₄ |
| 6EB&ER200 | 406900 | 406901 | 5,4 | 0,02 | 70 | 16 | 152 | 102 |
| 8EB&ER250 | N/A | 416087 | 8,2 | 0,04 | 83 | 16 | 210 | 127 |
| 10EB&ER300 | 406902 | 406903 | 8,2 | 0,04 | 83 | 16 | 210 | 127 |
| 12EB&ER350 | 406904 | 406905 | 21 | 0,15 | 127 | 16 | 260 | 178 |
| 14EB&ER400 | 406906 | 406907 | 31 | 0,27 | 146 | 19 | 343 | 178 |
| 16EB&ER475 | 406908 | 406909 | 34 | 0,27 | 146 | 19 | 381 | 191 |
| 19EB&ER475 | 406910 | 406911 | 42 | 0,36 | 146 | 19 | 445 | 191 |
| 21.5EB&ER475 | 406912 | 406913 | 59 | 1,22 | 165 | 19 | 508 | 216 |
| 24EB&ER475 | 406916 | 406917 | 60 | 1,26 | 165 | 19 | 546 | 216 |
| SI | Thru Holes | Tapped Holes | kg | kg m ² | Dimensions in millimeters | | | |

Notes:

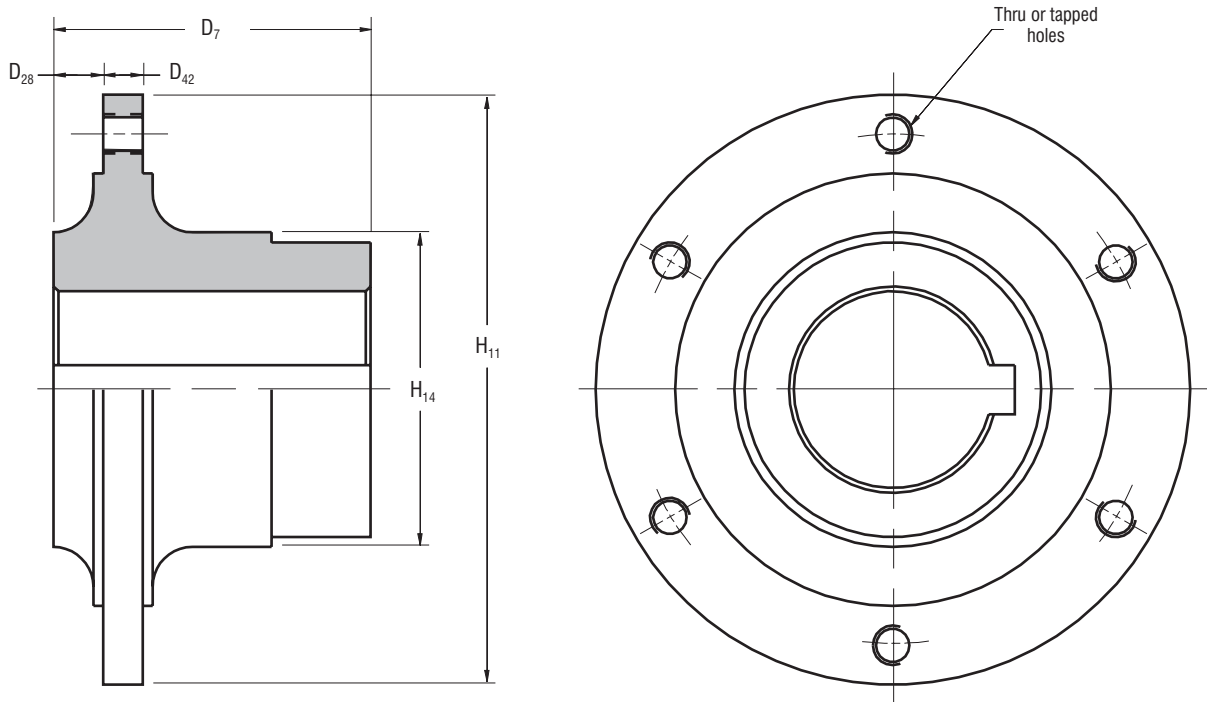
① Based upon minimum bores.

Airflex® EB Mounting Components



Form EB 713

Hub for Ventilated Internal Flange Drum
Dimensional and Technical Data – Sizes 6 to 12



| English | Thru Holes | Tapped Holes | lb | lbft ² | Dimensions in inches | | | | |
|----------------|-------------|--------------|----------------|----------------------|---------------------------|-----------------|-----------------|-----------------|-----------------|
| 6EB200 | 402540 | 402541 | 7 | 0.05 | 3.50 | 0.63 | 0.50 | 4.50 | 2.94 |
| 8EB250 | 402542 | 402543 | 15 | 0.2 | 4.00 | 0.63 | 0.50 | 6.25 | 4.00 |
| 10EB300 | 402544 | 402545 | 16 | 0.3 | 4.00 | 0.63 | 0.50 | 7.50 | 4.00 |
| 12EB350 | 402264 | 402433 | 25 | 0.5 | 4.25 | 1.13 | 0.63 | 8.25 | 5.00 |
| Size | Part Number | | Weight Mass | Wk ² J | D ₇ | D ₂₉ | D ₄₂ | H ₁₁ | H ₁₄ |
| 6EB200 | 402540 | 402541 | 3,2 | 0,0021 | 89 | 16 | 13 | 114 | 75 |
| 8EB250 | 402542 | 402543 | 6,8 | 0,01 | 102 | 16 | 13 | 159 | 102 |
| 10EB300 | 402544 | 402545 | 7,2 | 0,01 | 102 | 16 | 13 | 191 | 102 |
| 12EB350 | 402264 | 402433 | 11 | 0,02 | 108 | 29 | 16 | 210 | 127 |
| SI | Thru Holes | Tapped Holes | kg | kg·m ² | Dimensions in millimeters | | | | |

Notes:

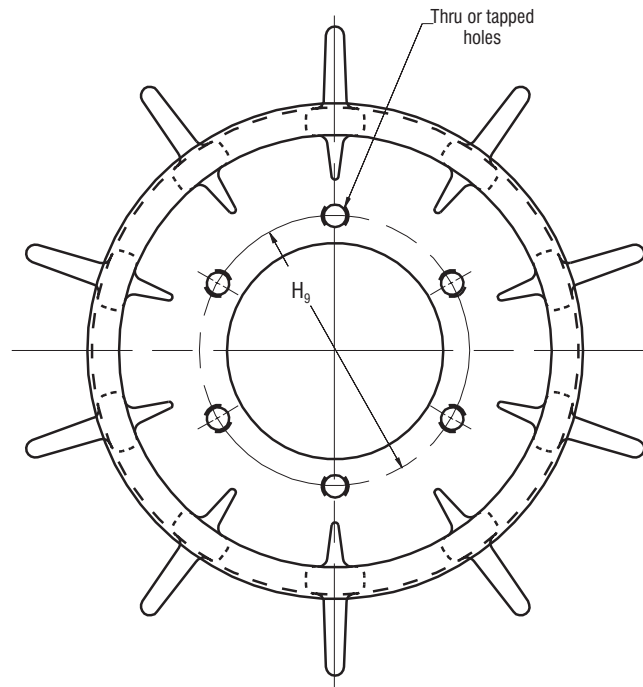
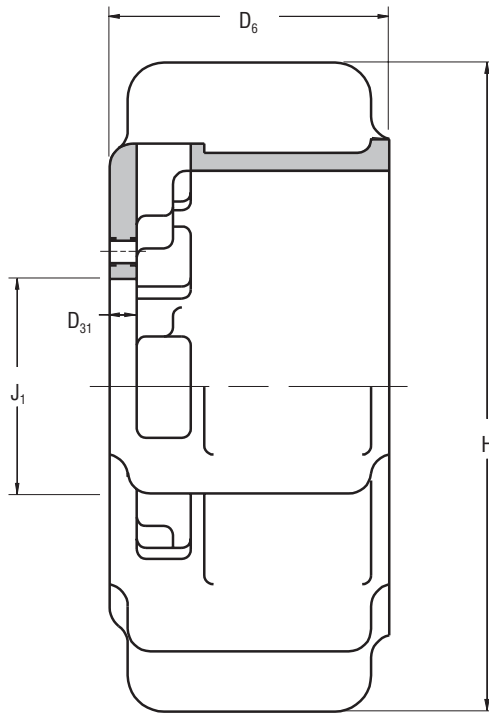
① Based upon minimum bores.

Airflex® EB Mounting Components



Form EB 714

Ventilated Internal Flange Drum – Dimensional and Technical Data
Sizes 6 to 12



| English | Thru Holes | Tapped Holes | lb | lb-ft ² | Dimensions in inches | | | | | | | |
|----------------|-------------|--------------|--------|--------------------|---------------------------|-----------------|----------------|-----|----------------|-----|----------------|--------|
| 6EB200 | 402226 | 402632 | 11 | 1 | 3.88 | 0.38 | 3.000 | 9 | 3.75 | 6 | 0.41 | 3/8-16 |
| 8EB250 | 402228 | 402633 | 14 | 2 | 4.38 | 0.38 | 4.750 | 11 | 5.50 | 6 | 0.41 | 3/8-16 |
| 10EB300 | 413255 | 413451 | 25 | 5 | 5.25 | 0.50 | 5.500 | 14 | 6.50 | 6 | 0.53 | 1/2-13 |
| 12EB350 | 402231 | 402635 | 39 | 10 | 6.00 | 0.50 | 6.250 | 16 | 7.25 | 6 | 0.53 | 1/2-13 |
| Size | Part Number | | Weight | Wk ² | D ₆ | D ₃₁ | J ₁ | H | H ₉ | No. | Thru | Tapped |
| | | | Mass | J | | | | | | | L ^② | Thru |
| 6EB200 | 402226 | 402632 | 5,0 | 0,04 | 99 | 10 | 76,2 | 229 | 95 | 6 | 10 | 3/8-16 |
| 8EB250 | 402228 | 402633 | 6,3 | 0,08 | 111 | 10 | 120,7 | 279 | 140 | 6 | 10 | 3/8-16 |
| 10EB300 | 413255 | 413451 | 11 | 0,21 | 133 | 13 | 139,7 | 356 | 165 | 6 | 13 | 1/2-13 |
| 12EB350 | 402231 | 402635 | 18 | 0,42 | 152 | 13 | 158,8 | 406 | 184 | 6 | 13 | 1/2-13 |
| SI | Thru Holes | Tapped Holes | kg | kg·m ² | Dimensions in millimeters | | | | | | | |

Notes:

① Tolerance +0.005/-0.000 in (0,13/-0,00 mm)

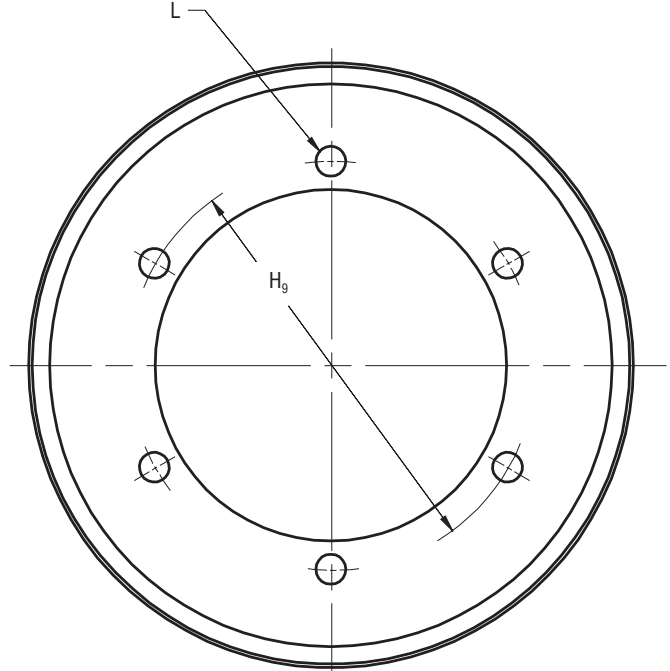
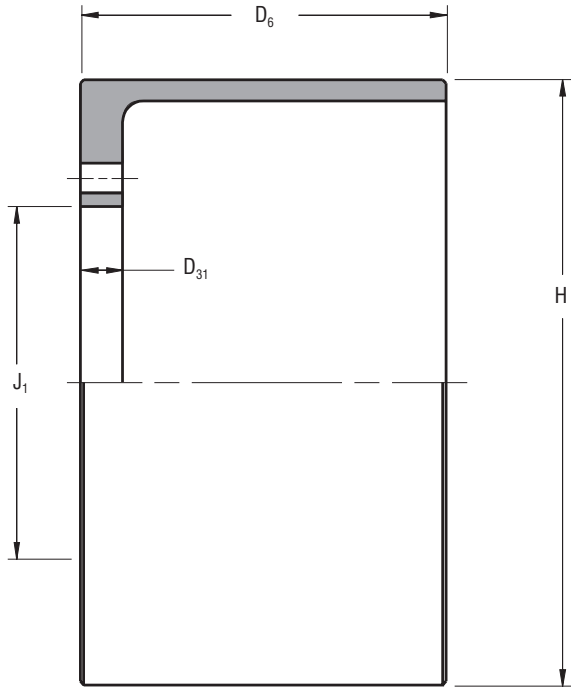
② American National Standard for Unified Screw Threads.

Airflex[®] EB and ER Mounting Components



Form EB 715

Non-Ventilated Internal Flange Drum – Dimensional and Technical Data
Sizes 6 to 24



| English | Thru Holes | Tapped Holes | lb | lb·ft ² | Dimensions in inches | | | | | | | |
|-------------------------|------------|--------------|----|--------------------|----------------------|------|--------|-------|-------|----|------|--------|
| 6EB&ER200 | 10236 | 9365 | 10 | 0.8 | 4.50 | 0.75 | 4.250 | 6.63 | 5.25 | 8 | 0.41 | 3/8-16 |
| 8EB&ER250 | 10237 | 9366 | 15 | 1.4 | 5.00 | 0.75 | 5.500 | 8.63 | 6.50 | 6 | 0.53 | 1/2-13 |
| 10EB&ER300 | 9367 | 10238 | 30 | 5 | 5.38 | 0.75 | 6.250 | 10.75 | 7.25 | 6 | 0.53 | 1/2-13 |
| 12EB&ER350 | 9368 | 10239 | 38 | 9 | 7.00 | 0.75 | 8.250 | 12.75 | 9.25 | 6 | 0.53 | 1/2-13 |
| 14EB&ER400 | 9369 | 10240 | 45 | 15 | 7.50 | 0.75 | 10.750 | 14.75 | 12.00 | 6 | 0.78 | 3/4-10 |
| 16EB&ER475 | 9370 | 10241 | 61 | 26 | 9.00 | 0.75 | 12.130 | 16.75 | 13.50 | 8 | 0.78 | 3/4-10 |
| 19EB&ER475 | 10142 | 10242 | 77 | 46 | 9.00 | 0.75 | 14.630 | 19.75 | 16.00 | 8 | 0.78 | 3/4-10 |
| 21.5EB&ER475 | 10144 | 10243 | 90 | 69 | 9.00 | 0.75 | 16.750 | 22.25 | 18.50 | 10 | 0.78 | 3/4-10 |
| 24EB&ER475 | 10145 | 10244 | 98 | 95 | 9.00 | 0.75 | 19.500 | 24.75 | 21.50 | 14 | 0.78 | 3/4-10 |

| Size | Part Number | Weight Mass | Wk ² J | D ₆ | D ₃₁ | ① J ₁ | H | H ₉ | No. Thru Tapped | | | |
|-------------------------|-------------|----------------|----------------------|----------------|-----------------|---------------------|-------|----------------|-----------------|----|----|--------|
| | | | | | | | | | L ② | | | |
| 6EB&ER200 | 10236 | 9365 | 4,5 | 0,03 | 114 | 19 | 108,0 | 168 | 133 | 8 | 10 | 3/8-16 |
| 8EB&ER250 | 10237 | 9366 | 6,8 | 0,06 | 127 | 19 | 158,8 | 219 | 165 | 6 | 13 | 1/2-13 |
| 10EB&ER300 | 9367 | 10238 | 14 | 0,21 | 137 | 19 | 139,7 | 273 | 184 | 6 | 13 | 1/2-13 |
| 12EB&ER350 | 9368 | 10239 | 17 | 0,38 | 178 | 19 | 209,6 | 324 | 235 | 6 | 13 | 1/2-13 |
| 14EB&ER400 | 9369 | 10240 | 20 | 0,63 | 191 | 19 | 273,1 | 375 | 305 | 6 | 20 | 3/4-10 |
| 16EB&ER475 | 9370 | 10241 | 28 | 1,09 | 229 | 19 | 308,1 | 425 | 343 | 8 | 20 | 3/4-10 |
| 19EB&ER475 | 10142 | 10242 | 35 | 1,93 | 229 | 19 | 371,6 | 502 | 406 | 8 | 20 | 3/4-10 |
| 21.5EB&ER475 | 10144 | 10243 | 41 | 2,90 | 229 | 19 | 425,5 | 565 | 470 | 10 | 20 | 3/4-10 |
| 24EB&ER475 | 10145 | 10244 | 44 | 3,99 | 229 | 19 | 495,3 | 629 | 546 | 14 | 20 | 3/4-10 |

| SI | Thru Holes | Tapped Holes | kg | kg·m ² | Dimensions in millimeters | | | | | | | |
|----|------------|--------------|----|-------------------|---------------------------|--|--|--|--|--|--|--|
|----|------------|--------------|----|-------------------|---------------------------|--|--|--|--|--|--|--|

Notes:

- ① Tolerance +0.003/-0.000 in (0,08/-0.00 mm)
- ② American National Standard for Unified Screw Threads